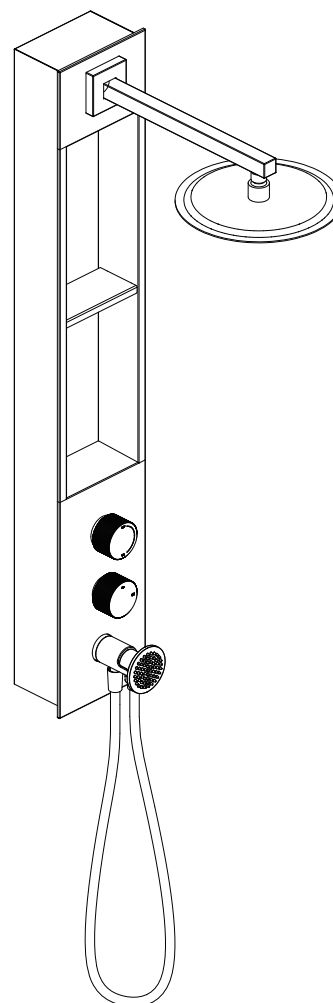


Shower wall with shower head
and built-in niche



AB2002-EN-D

/ Minimalist
and
comfortable
home

Contents

Contents	01
Instructions for user	02-04
Product List	05
Installation Dimensions	06
Installation Instructions	07-11

Instructions for user

Before Installation

All information is based on the latest published product literature, users are advised to read the instructions carefully as they include important aspects of installation, maintenance and cleaning procedures.

Product Usage Environment

1. Maximum water supply pressure: 1.0MPa.
2. Recommended operating pressure: 0.1~0.5MPa, the installation of pressure reducing valve is recommended for pressures exceeding 0.5MPa.
3. Water supply temperature 4~90°C, recommended hot water temperature 55~65°C, do not use steam for heat water.
4. Operating environment temperature: above 0°C and below 60°C. Below 0°C, the product may experience freezing, deformation, etc. Above 60°C, it may damage the showerhead and seals, and even cause harm to the user.

Installation Techniques

- To avoid crushing and cutting injuries during assembly, gloves must be worn.
- The shower system is intended solely for bathing, hygiene, and personal cleansing purposes.
- Children and adults with physical, mental, or consciousness impairments should use the shower system under supervision or guardianship.
- The product should have sufficient distance from the user's head.
- The product is not intended for use as a grab bar. Separate grab bars must be installed.
- The shower arm for the overhead showerhead is designed only for installing the overhead showerhead and must not be used to support any other items.
- The significant pressure difference between hot and cold water pipes must be balanced.
- After installation, please prioritize checking the functionality of the switches, temperature adjustment, and water flow to ensure proper operation.

Instructions for user

Cleaning Instructions

- Applicable to all plated surfaces: Clean the plated surface with neutral soapy water, then thoroughly dry the entire surface with a clean, soft cloth. Alternatively, you can use our complimentary maintenance wax kit to wipe the surface.
- Most cleaning agents, such as ammonia, stain removers, and toilet cleaners, can cause damage to plated surfaces. Avoid using them.
- Abrasive cleaning tools or cleaners should not be used on the product surface.

Installation Tips

- Please ensure you inspect the product for any transportation damage prior to installation to avoid affecting later installation and use.
- Before installation, pipes and valves must be installed, flushed, and inspected according to universal standards.
- Please adhere to the current installation regulations of your local country.
- The installation dimensions specified in this manual can be adjusted as needed. After adjusting the height of the ground and the overhead shower, the height of the handle and handheld shower will also change accordingly. It is recommended to have a distance of about 20cm between the overhead shower and the top of the head.
- Install the cold and hot water inlet pipes according to the product's cold and hot water labels, ensuring they are not installed incorrectly to prevent scalding.
- Do not forget to install the filter provided with the overhead shower during installation to filter impurities and debris in the pipes.
- This product should be installed by qualified professionals. Do not connect it for use with a steam bath.



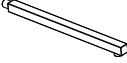
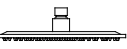


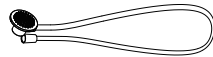



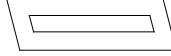
Antifreeze measures.

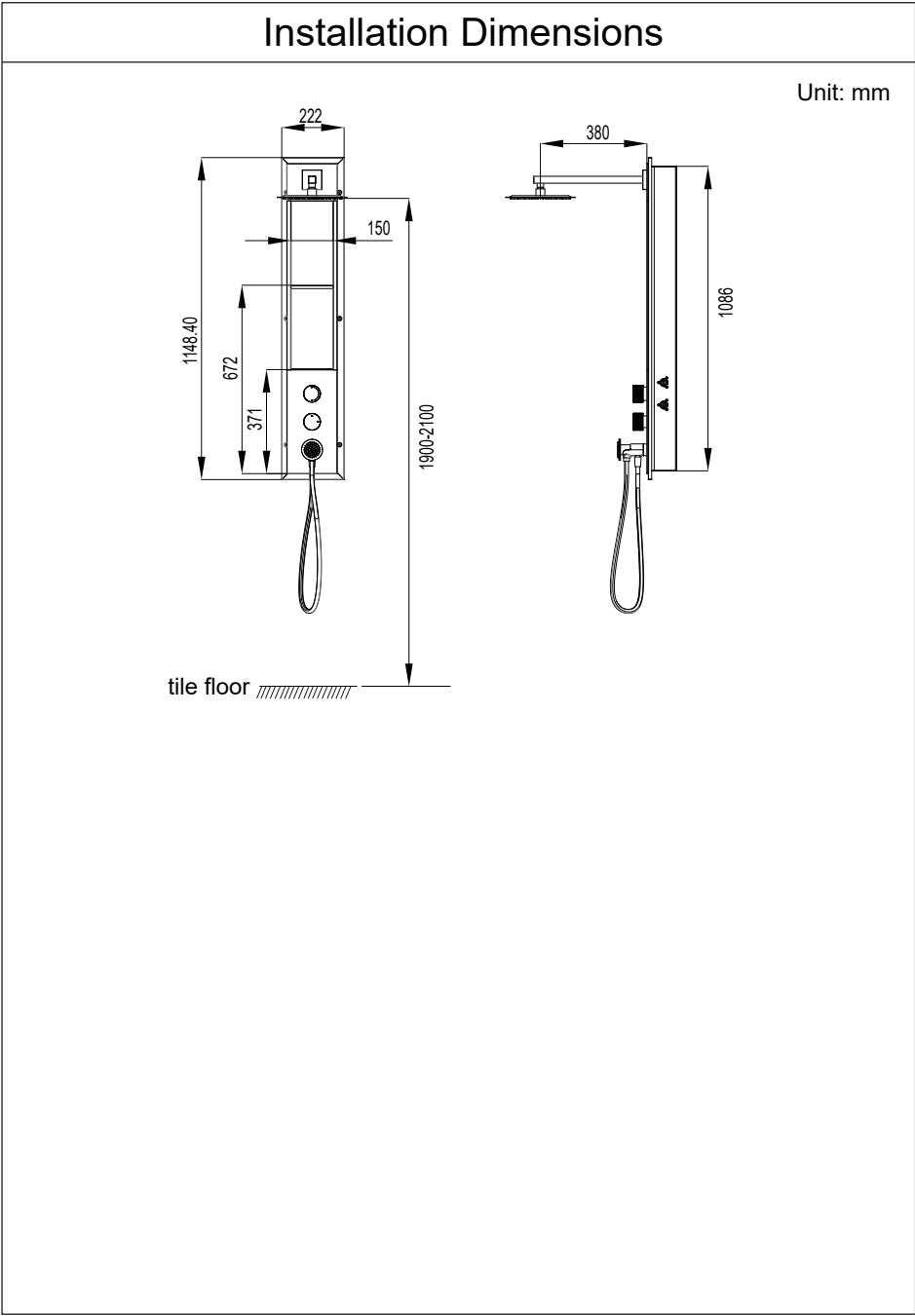
- When using in potentially freezing conditions, please take effective anti-freezing measures.
- The frozen components of the product may cause damage, that leads to leaks.
- Even if component damage occurs due to freezing within the warranty period, we only provide paid services.
- After construction or prolonged periods of non-use, be prepared for sudden temperature drops and take precautions to prevent the product from freezing.
- To prevent the product from freezing, it is recommended not to let the ambient temperature around the product drop below 0°C.

Instructions for user

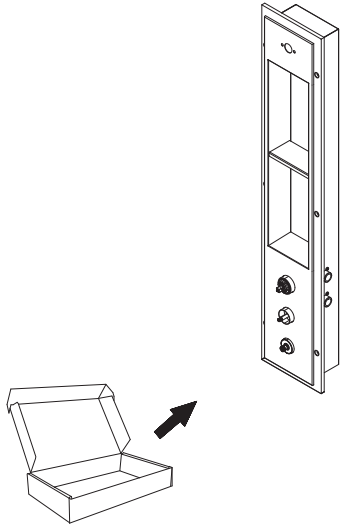
After-sales Common Issues

Frequently Asked Questions	Reasons	Solutions
The showerhead has low water flow.	·The water pressure is insufficient. ·The showerhead filter is clogged with debris.	·Check the overall water pressure. ·Clean the filter between the showerhead and the hose.
The handheld shower is dripping water.	·The handheld shower is damaged. ·The valve core is damaged.	·Replace the handheld shower. ·Replace the valve core.
The showerhead nozzles are clogged.	·Blockage caused by calcium deposits in the water.	·Soak in a solution of water and vinegar (1:1 ratio) to soften and resolve.
The water stains from plating are hard to clean.	·Calcium deposits that have not been cleaned for a long time.	·You can use toothpaste, lemon, or edible vinegar to soften and clean.

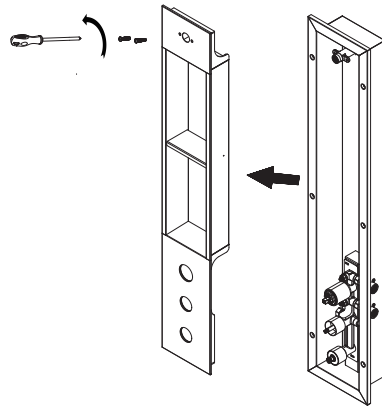
Product List	
	Shower component ×1
	Escutcheon ×1
	Shower arm ×1
	Showerhead ×1
	Handle ×2
	Bracket ×1
	Handheld shower ×1
	Dust cap ×3
	Accessory pack ×4
	Accessory pack (M5×35) ×6
	Waterproof membrane ×1



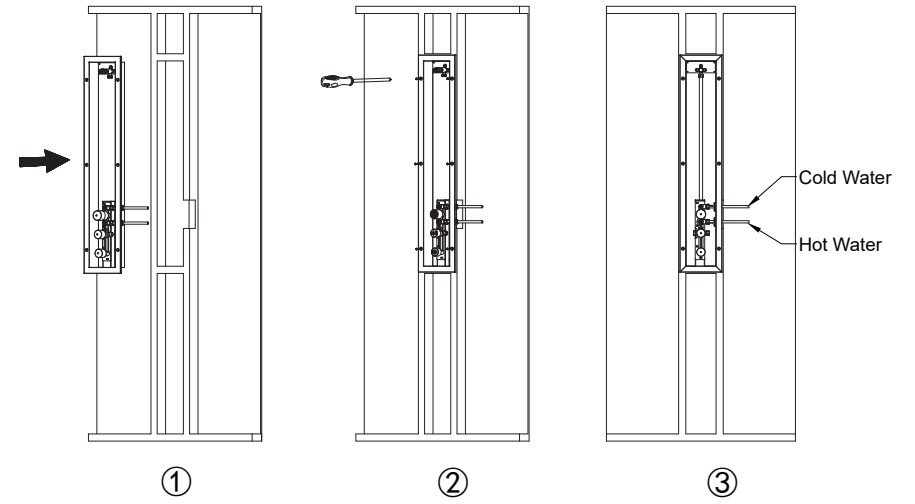
1 Open the carton and remove the complete set.



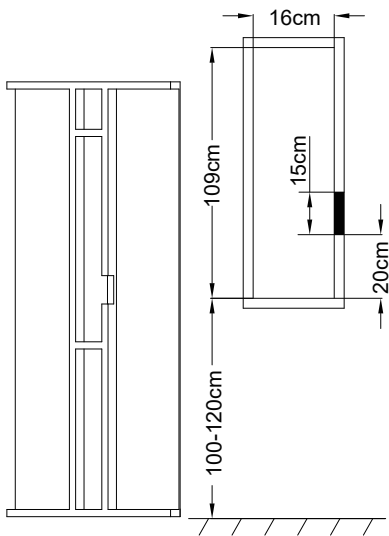
2 Remove the niche.



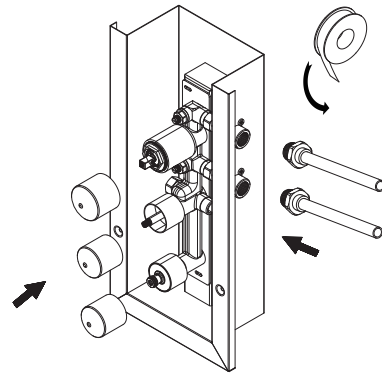
5 Secure the waterproof box onto the stud wall.



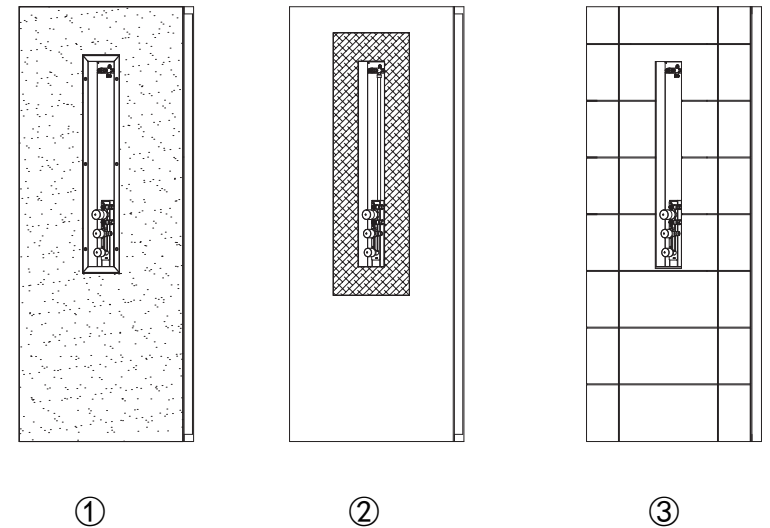
3 Install the wood stud wall.



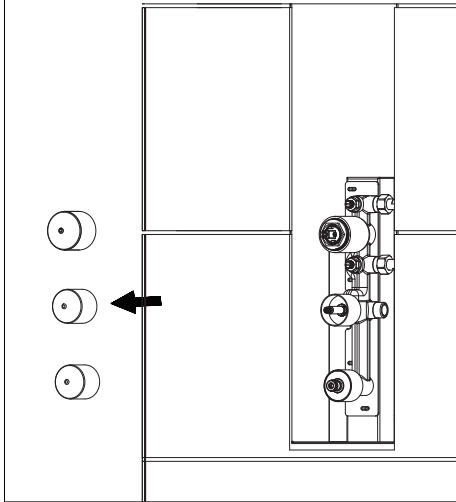
4 Connect the hot and cold water pipe fittings and install the dust cap.



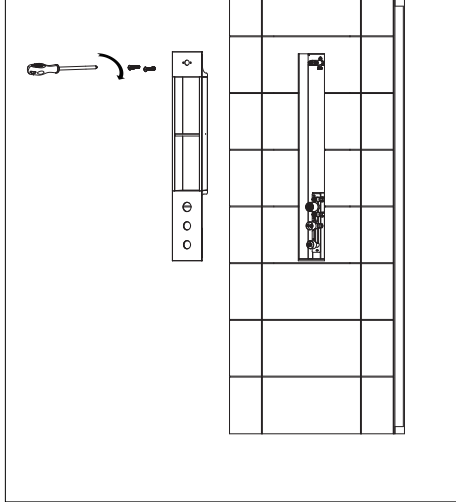
6 Sequentially install the drywall, waterproofing membrane, and tile.



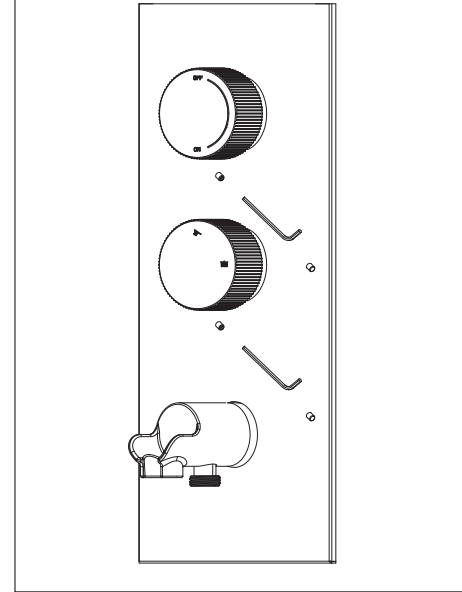
7 Remove the dust cap.



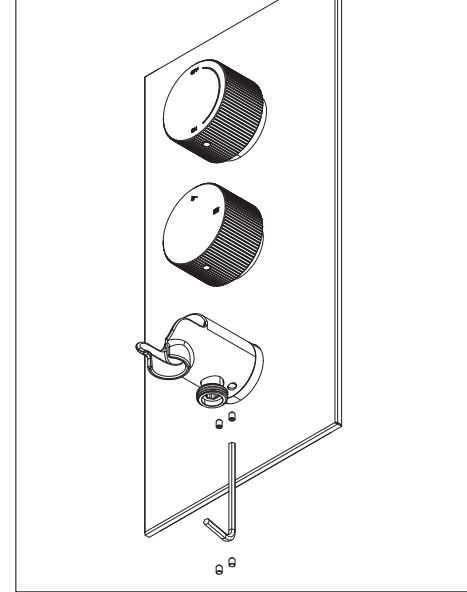
8 Install the niche.



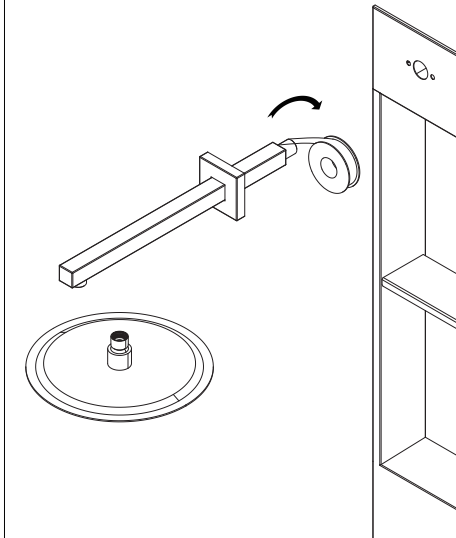
11 Tighten the handle with the set screw.



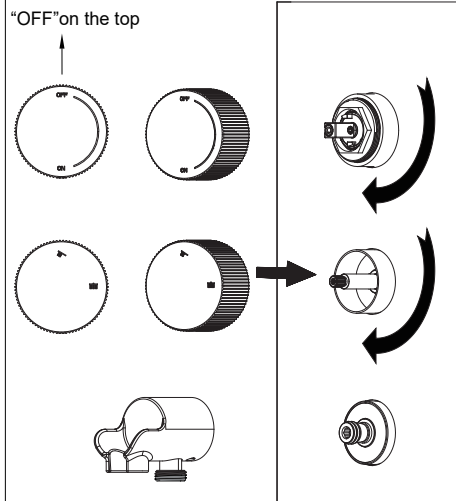
12 Secure the bracket.



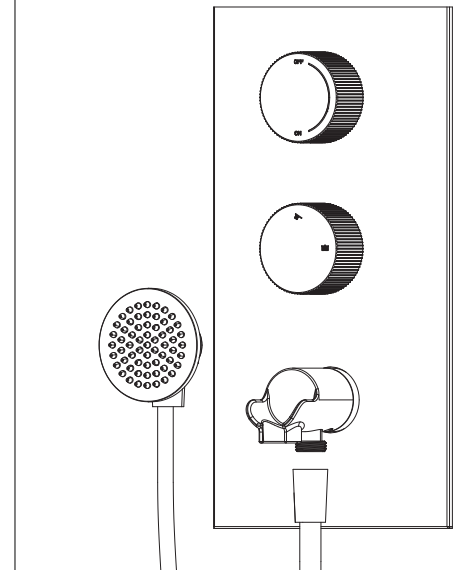
9 Install the shower bar, then mount the overhead shower.



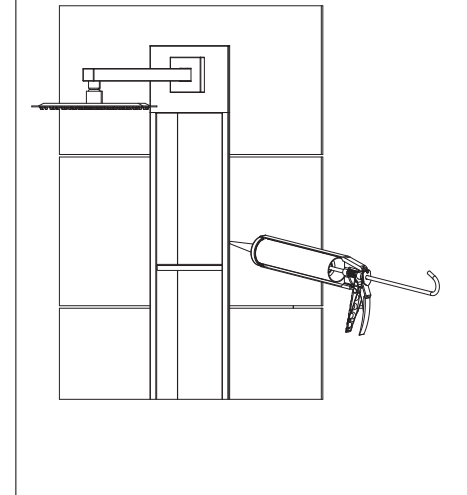
10 Rotate the valve cartridge counterclockwise to the end, then install the handle as shown.



13 Install the hand shower.



14 Apply 100% silicone sealant to the niche.



15 Installation completed.

